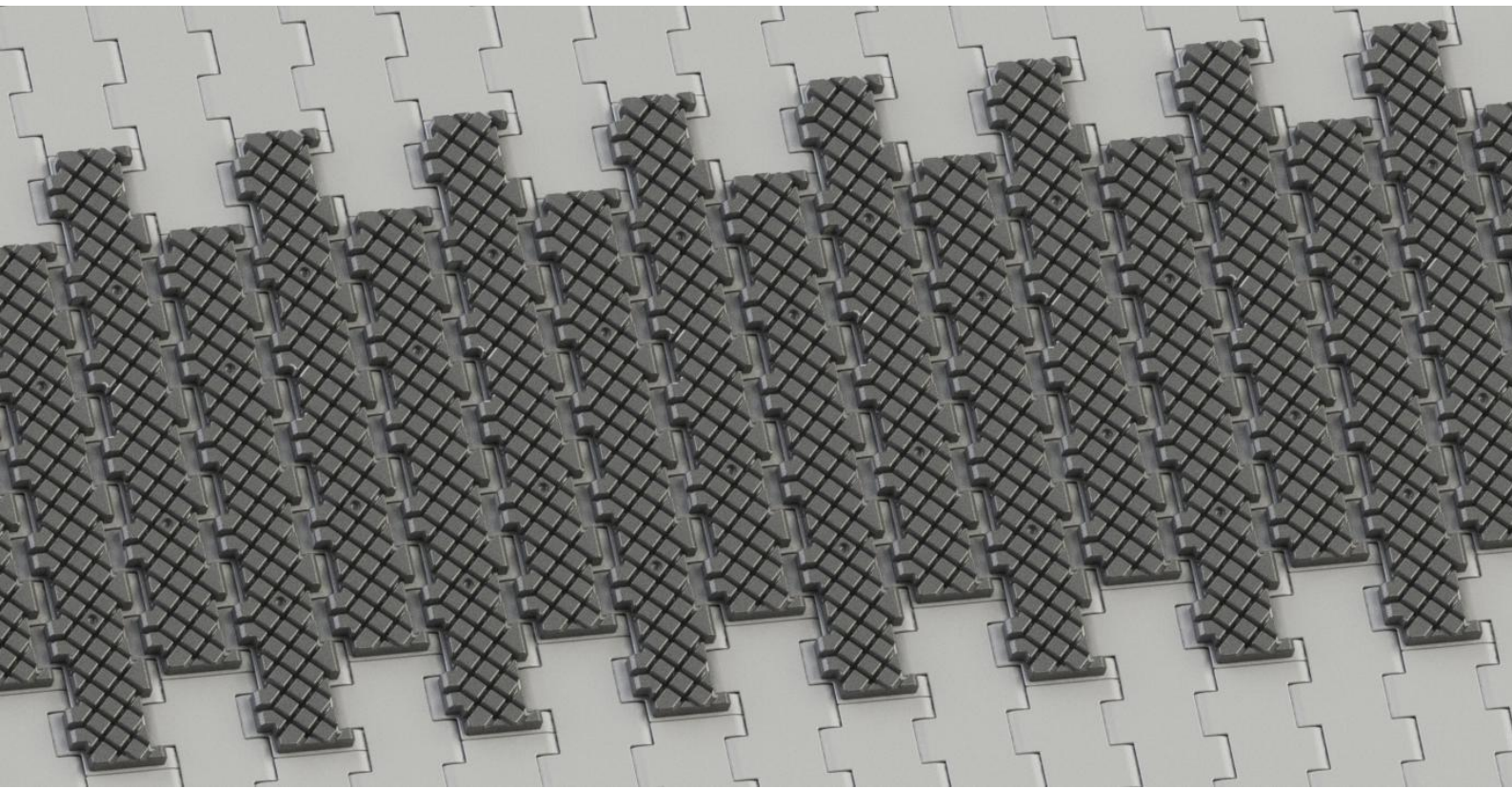


HS-3400EL Technical Data Sheet



Pitch : 25.4mm Minimum Width : 331mm Open Area : 0% Approved : FDA Rod : Ø 6.0mm Flight : No Side Guard : No Curve : No	
--	--

Data

Belt Material	Belt Strength			Temperature		Belt Weight (Kg/M ²)
	Straight		Curve	°C (min.)	°C (max.)	
	Kg/M(BW)	N/M(BW)				
Polypropylene	2678	26780	--	1	70	12.7
Polyethylene	1488	14880	--	-46	50	13.1

BW – Belt Width

Color Table

Polypropylene					Polyethylene					Acetal					Nylon				
W	G	N	DB	B	W	G	N	DB	B	W	G	N	DB	B	W	G	N	DB	B
●	●						●			●						●			

W-White, G-Gray, N-Nature, DB-Dark brown, B-Blue

Friction Table

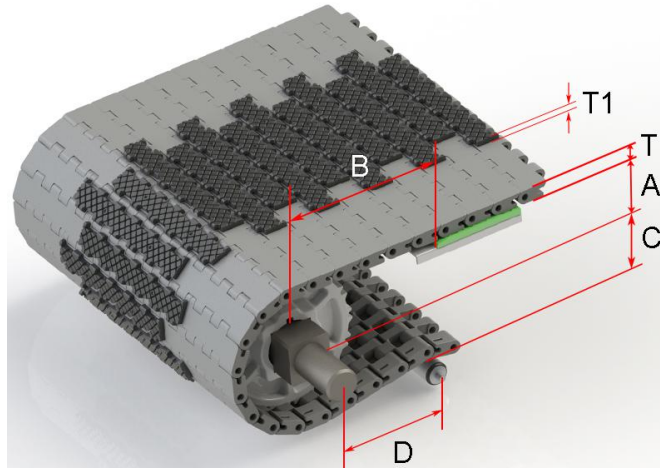
Belt Material	Friction Wear strips & Products							
	UHMW	HDPE	Steel	Glass	SUS	Plastic	Cardboard	Aluminum
Polypropylene	0.32	0.24	0.15	0.09	0.13	0.08	0.15	0.25
Polyethylene	0.13	0.11	0.26	0.19	0.31	0.16	0.21	0.41
Acetal	0.11	0.09	0.27	0.16	0.26	0.15	0.19	0.28
Nylon	0.18	0.13	0.25	0.16	0.26	0.16	0.19	0.27

SUS – Stainless Steel

Equivalent type with other Brand

Brand Name	Intralox	UNI	Rexnord	MCC	Habasit	KVP
Series & Type	1400	--	--	--	--	--

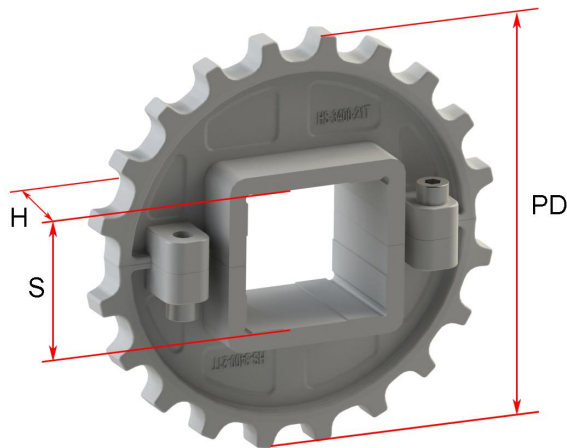
The above content is only for reference.



Conveyor Frame Dimensions

Unit : mm

No. Teeth	A (Min.)	B (Min.)	C (Max.)	D (Min.)	T	T1
12	43.1	59.5	40.7	200	12.8	5.0
15	55.6	72	53.2	200		
18	68.1	84.5	65.7	200		
21-Split	80.6	97	78.2	200		
24	73.1	89.5	70.7	250		



Sprocket Dimensions

Unit: mm

No. Teeth	OD	PD	S	D	H	K
12	99.3	98.14	38.1/40.2	--	37.6	--
15	124.25	122.17	38.1/40.2/60.2/63.5	--	38.1	--
18	149.05	146.27	38.1/40.2/60.2	--	37.6	--
21-Split	174	170.42	38.1/40.2/60.2/63.5	--	50	--
24	158.73	194.60	60.2/63.5	--	30	--